



## SPECIFICATION SHEET

### UMACABLE HIGH QUALITY USB 3.1 TYPE C MALE TO TYPE C MALE CABLE

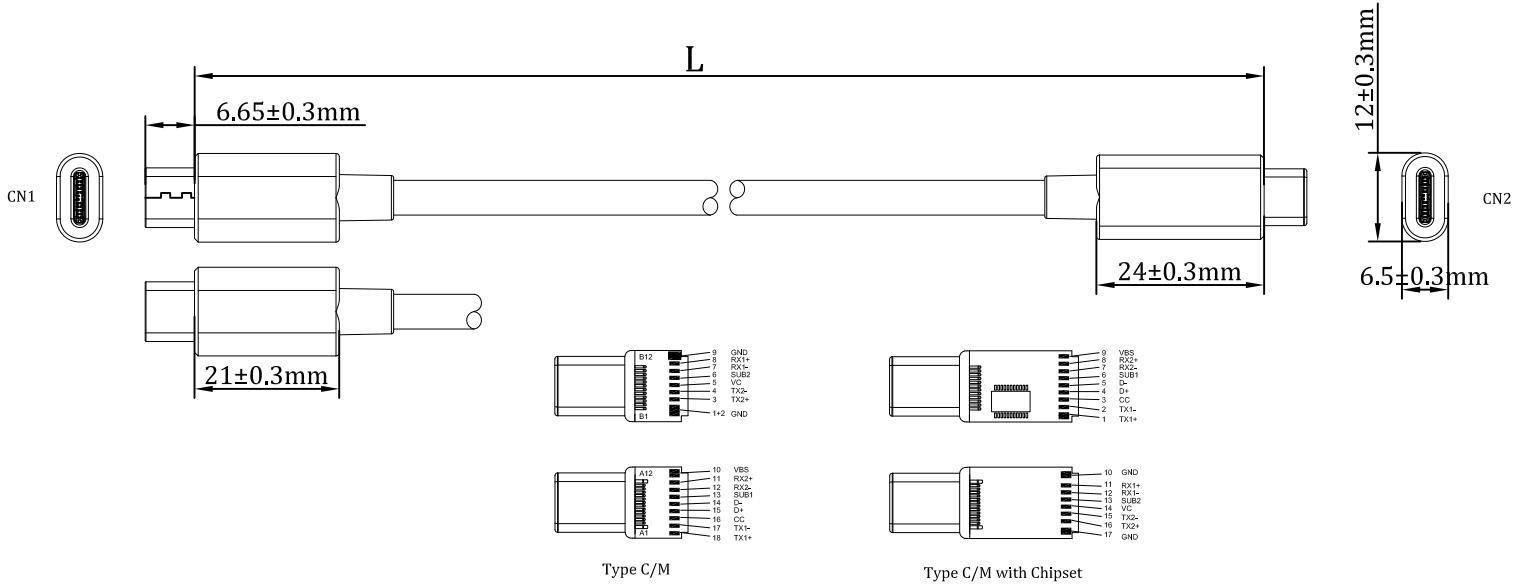
ITEM NO.: UMUB3201



#### KEY FEATURES :

- Super Speed USB 3.1 Type C (USB-C) Male to Type C (USB-C) Male Cable
- Connect the USB 3.1 Type C port of a Smartphone, Hard Drive, Tablet, Digital Camera or other device to a USB Type C port
- Convenient to charge your new MacBook or Type C devices with USB-C port from a wall outlet up to 3A and 100W power
- Ultra-Fast Data Transfer/Sync (up to 10 Gbps), also support USB quick charging up to 5V/3A, and high performance video and audio transfer
- Type C Connector Reversible Design, Low-profile connector with a reversible design simplifies the connection, plug and unplug easily without checking for the connector orientation
- Flexible PVC jacket, Foil and braid shielding, and the twisted pair construction make a better performance
- Lifetime Warranty

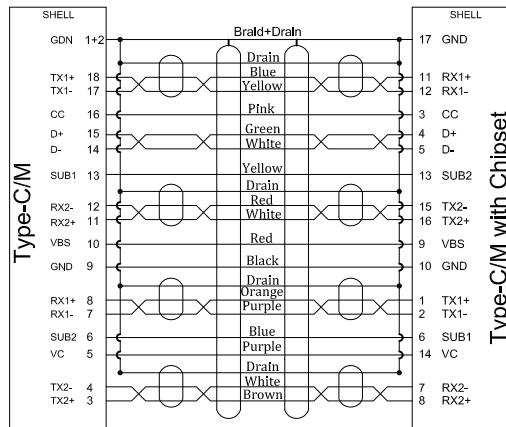
# UMACABLE HIGH QUALITY USB 3.1 TYPE C MALE TO TYPE C MALE CABLE



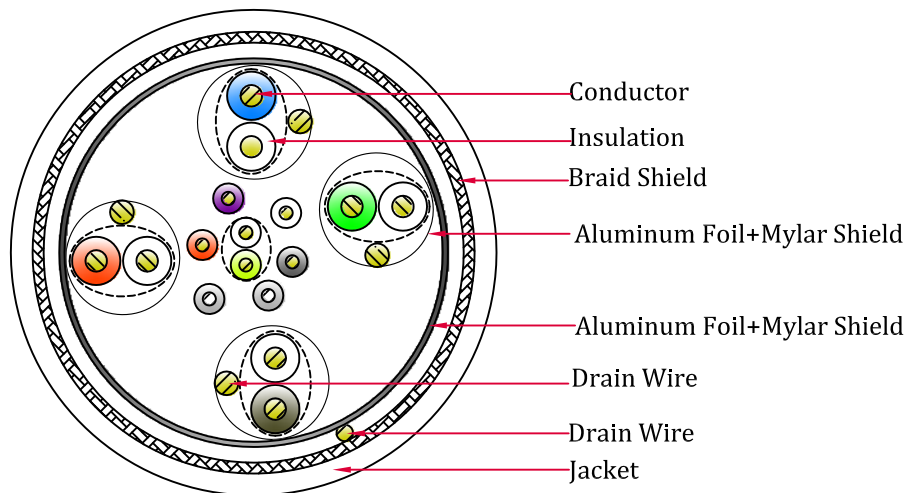
## Diagram

CN1

CN2



## Construction



# UMACABLE HIGH QUALITY USB 3.1 TYPE C MALE TO TYPE C MALE CABLE

## Electrical Characteristics:

---

Nominal Velocity of Propagation:	10Gbps
Propagation Delay:	5.2ns/m(Max), 26ns/cable
Skew:	20ps/3.5m(max)
Dielectric Strength:	AC 500V/1 minute
Insulation Resistance:	10MΩ

## Physical Characteristics:

---

Voltage Rating:	30V
Maximum Bend Radius:	90mm
Temperature Rating:	80°C
Approvals:	RoHS Compliant
Package type:	PE bag, Zip bag, Box, Hang card, Blister

## Conductor 1 (4 pairs)

---

Conductor Type:	34AWG Tinned Copper
Insulation:	Foamed PE
Color:	Brown/White, Orange/Purple White/Red, Yellow/Blue
Drain Wire:	34AWG Tinned Copper
Shield:	Aluminum Foil+Mylar 100% Coverage

## Conduct 2 ( 1 pair)

---

Conductor Type:	32AWG Tinned Copper
Insulation:	HDPE
Color:	White/Green
Shield:	Aluminum Foil+Mylar

## Conductor 3 (4 cores)

---

Conductor Type:	34AWG Tinned Copper
Insulation:	HDPE
Color:	Purplr, Blue, Yellow, Pink

## Conduct 4 ( 2 cores)

---

Conductor Type:	24AWG Tinned Copper
Insulation:	HDPE
Color:	Red, Black
Shield:	Aluminum Foil+Mylar

## Connector 1

---

Connector Type:	USB 3.1 Type C Male
PIN Construction:	Phosphor Copper
Plating:	Nickel
Injection:	45P PVC

## Connector 2

---

Connector Type:	USB 3.1 Type C Male
PIN Construction:	Phosphor Copper
Plating:	Nickel
Injection:	45P PVC

## Overall

---

Foil Shield:	Aluminum Foil+Mylar 100% Coverage
Braided Shield:	16/9/0.08 Bare Copper
Jacket:	PVC
OD:	4.2±0.2mm

## Customized Parameters

---

Guage:	AWG 34/32/34/24
Length:	0.5, 1, 1.5, 1.8, 2, 3m
Color:	Black or Customized
Ferrite Core:	Customized
Nylon Mesh:	Customized
Package type:	PE bag, Zip bag, Box, Hang card, Blister