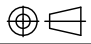


Rev	Modification	Date
A1	Issue	07/13/2016



Key Features:

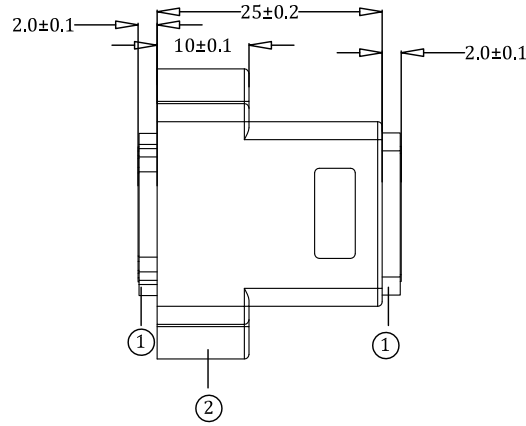
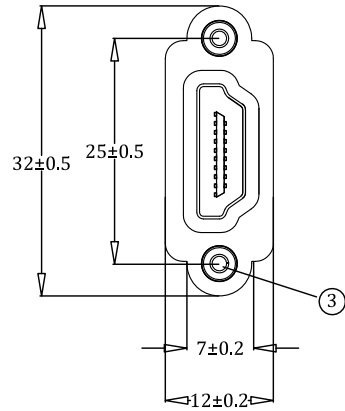
- High Speed HDMI Female to Female Panel Mount Adapter
- The screw design helps to connect the device tightly
- Convenient way to combine two HDMI cables through a panel without any signal loss
- Bandwidth up to 18Gbps
- 4K@50/60 (2160p), which is 4 times the clarity of 1080p/60 video resolution
- 3D video, Deep Color and x.v. Color
- 2 Years Warranty

Projection: 	Tolerance: XX= XXX=	Product: HDMI F/F Panel Mount Adapter
Scale: None	DWG No.: PM2001	Part No.: UMPM2001
Unit: mm	Page: 1/2	Customer:
Customer Approve:		UMA Technology Co., Ltd Tel: 0086 574 8704 2335 Fax: 0086 574 5687 7589 Email: info@umateck.com Web: www.umateck.com Add: 4-1, Shanghai Fortune building, South Dongyi Rd, Zhenhai District, Ningbo, China, 315202
Approve:	Dell Zheng	
Check:	Kelly Xu	
Draw:	David Han	

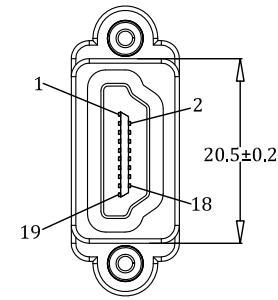


Rev	Modification	Date
A1	Issue	07/13/2016

CN1



CN2



PIN OUT

CN1	CN2	CN1	CN2
1	1	11	11
2	2	12	12
3	3	13	13
4	4	14	14
5	5	15	15
6	6	16	16
7	7	17	17
8	8	18	18
9	9	19	19
10	10	Shell	Shell

Electronic Tests:

- A. Open/Short/Intermittence: 100%
- B. Hi-Pot: AC 300V 0.01S
- C. Insulation Resistance: DC 300V 5MΩ
- D. Conductive Resistance: 2Ω Max
- E. Computer Test: 4Kx2K@60Hz

Projection:	Tolerance: XX= XXX=	Product: HDMI F/F Panel Mount Adapter
Scale: None	DWG No.: PM2001	Part No.: UMPM2001
Unit: mm	Page: 2/2	Customer:

④	Nut	Nut, 4-40, Nickel Plated	2	pcs
③	Outer Mold	45P PVC, Black	4	g
②	Inner Mold	LDPE	2	g
①	Connector	HDMI 19PIN Female, PIN Gold Flash, Shell Gold Plated	2	pcs
No.	P/No.	Specifications	Q'TY	Unit

Customer Approve:	<p>UMA Technology Co., Ltd</p> <p>Tel: 0086 574 8704 2335 Fax: 0086 574 5687 7589 Email: info@umateck.com Web: www.umateck.com Add: 4-1, Shanghai Fortune building, South Dongyi Rd, Zhenhai District, Ningbo, China, 315202</p>
Approve: Dell Zheng	
Check: Kelly Xu	
Draw: David Han	