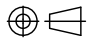


Rev	Modification	Date
A1	Issue	07/13/2016



Key Features:

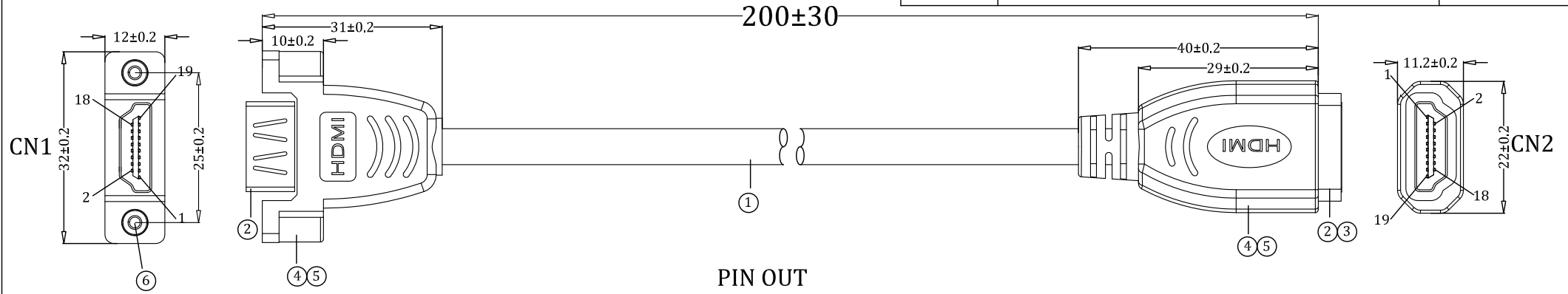
- High Speed HDMI Female to Female Panel Mount Cable
- The screw design helps to connect the device tightly
- Convenient way to combine two HDMI cables through a panel without any signal loss
- Bandwidth up to 18Gbps
- 4K@50/60 (2160p), which is 4 times the clarity of 1080p/60 video resolution
- 3D video, Deep Color and x.v. Color
- 2 Years Warranty

Projection: 	Tolerance: XX= XXX=	Product: HDMI F/F Panel Mount Cable
Scale: None	DWG No.: PM2002	Part No.: UMPM2002
Unit: mm	Page: 1/2	Customer:
Customer Approve:		UMA Technology Co., Ltd Tel: 0086 574 8704 2335 Fax: 0086 574 5687 7589 Email: info@umateck.com Web: www.umateck.com Add: 4-1, Shanghai Fortune building, South Dongyi Rd, Zhenhai District, Ningbo, China, 315202
Approve:	Dell Zheng	
Check:	Kelly Xu	
Draw:	David Han	

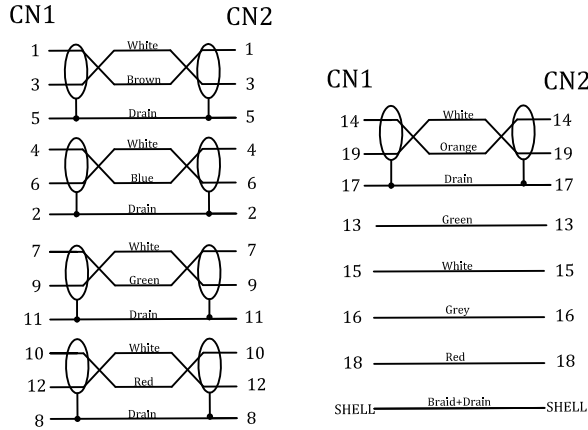


RoHS Compliant

Rev	Modification	Date
A1	Issue	07/13/2016



PIN OUT



Electronic Tests:

- A. Open/Short/Intermittence: 100%
- B. Hi-Pot: AC 300V 0.01S
- C. Insulation Resistance: DC 300V 5MΩ
- D. Conductive Resistance: 3Ω Max
- E. Computer Test: 4Kx2K@60Hz

⑦	Screw	Screw, 4-40, Nickel Plated	2	pcs
⑥	Nut	Nut, 4-40, Nickel Plated	2	pcs
⑤	Outer Mold	45P PVC, Black	15	g
④	Inner Mold	LDPE	8	g
③	Plastic Hood	HDMI 19PIN Female Plastic Hood, Black	2	pcs
②	Connector	HDMI 19PIN Female, PIN Gold Flash, Shell Gold Plated	2	pcs
①	Cable	HDMI 2.0, [28AWG(7/0.12TC)*1P+D(7/0.12TC)+FAM]*5C+28AWG(7/0.12TC)*4C+AL-Foil+D(1/0.32BC)+B(96/0.12AL-MG), Black PVC Jacket, OD:7.3± 0.2mm	200	mm
No.	P/No.	Specifications	Q'TY	Unit

Projection:		Tolerance:	XX= XXX=	Product:	HDMI F/F Panel Mount Cable	
Scale:	None	DWG No.:	PM2002	Part No.:	UMPM2002	
Unit:	mm	Page:	2/2	Customer:		
Customer Approve:	<p style="text-align: center;">UMA Technology Co., Ltd</p> <p>Tel: 0086 574 8704 2335 Fax: 0086 574 5687 7589 Email: info@umateck.com Web: www.umateck.com Add: 4-1, Shanghai Fortune building, South Dongyi Rd, Zhenhai District, Ningbo, China, 315202</p>					
Approve:						Dell Zheng
Check:						Kelly Xu
Draw:	David Han					