

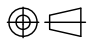
RoHS Compliant

Rev	Modification	Date
A1	Issue	07/13/2016



Key Features:

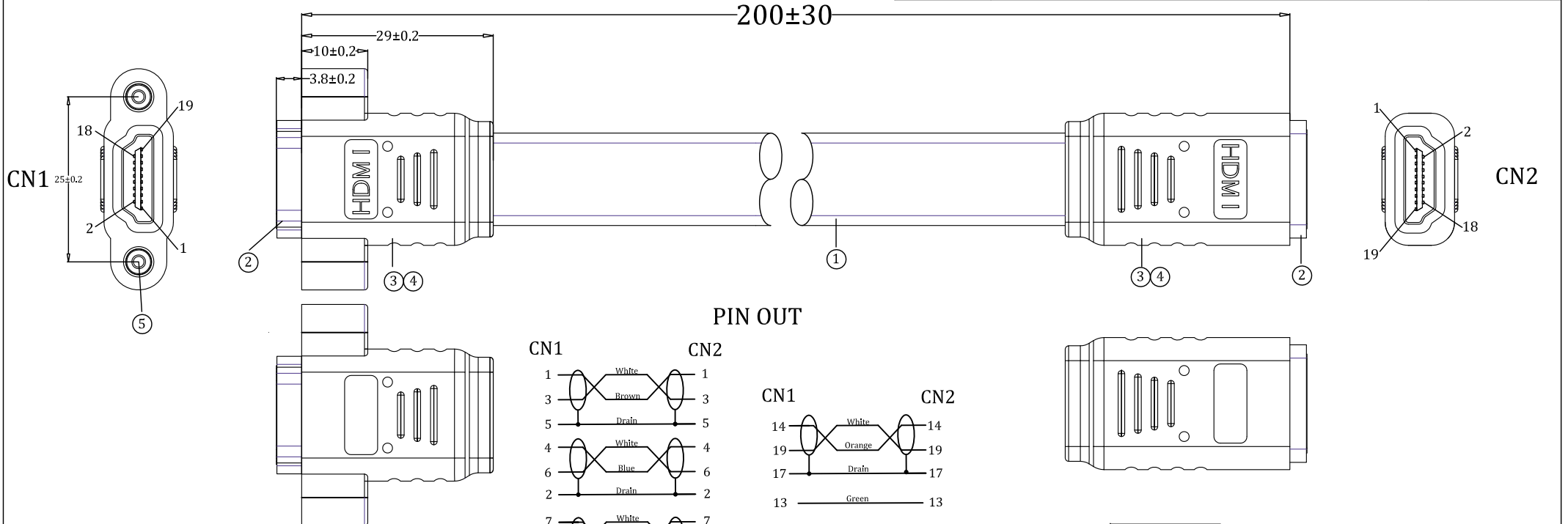
- High Speed HDMI Female to Female Panel Mount Cable
- The screw design helps to connect the device tightly
- Convenient way to combine two HDMI cables through a panel without any signal loss
- Bandwidth up to 18Gbps
- 4K@50/60 (2160p), which is 4 times the clarity of 1080p/60 video resolution
- 3D video, Deep Color and x.v. Color
- 2 Years Warranty

Projection: 	Tolerance: XX= XXX=	Product: HDMI F/F Panel Mount Cable
Scale: None	DWG No.: PM2004	Part No.: UMPM2004
Unit: mm	Page: 1/2	Customer:
Customer Approve:		UMA Technology Co., Ltd Tel: 0086 574 8704 2335 Fax: 0086 574 5687 7589 Email: info@umateck.com Web: www.umateck.com Add: 4-1, Shanghai Fortune building, South Dongyi Rd, Zhenhai District, Ningbo, China, 315202
Approve:	Dell Zheng	
Check:	Kelly Xu	
Draw:	David Han	

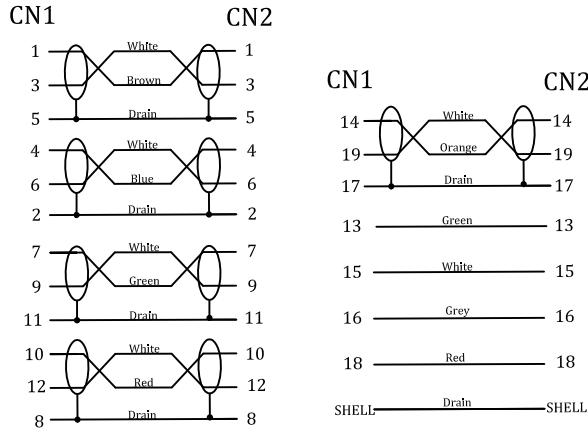


RoHS Compliant

Rev	Modification	Date
A1	Issue	07/13/2016



PIN OUT



Electronic Tests:

- A. Open/Short/Intermittence: 100%
- B. Hi-Pot: AC 300V 0.01S
- C. Insulation Resistance: DC 300V 10MΩ
- D. Conductive Resistance: 5Ω Max
- E. Computer Test: 4Kx2K@60Hz

⑥	Screw	Screw, 4-40, Nickel Plated	2	pcs			
⑤	Nut	Nut, 4-40, Nickel Plated	2	pcs	Projection:	Tolerance: XX= XXX=	Product: HDMI F/F Panel Mount Cable
④	Outer Mold	45P PVC, Black	14	g	Scale: None	DWG No.: PM2004	Part No.: UMPM2004
③	Inner Mold	LDPE	5	g	Unit: mm	Page: 2/2	Customer:
②	Connector	HDMI 19PIN Female, PIN Gold Flash, Shell Gold Plated	2	pcs	Customer Approve:		UMA Technology Co., Ltd Tel: 0086 574 8704 2335 Fax: 0086 574 5687 7589 Email: info@umateck.com Web: www.umateck.com Add: 4-1, Shanghai Fortune building, South Dongyi Rd, Zhenhai District, Ningbo, China, 315202
①	Cable	HDMI 2.0, [28AWG(7/0.127TC)*1P+D(7/0.127TC)+Al-Mg]*5C+28AWG(7/0.127TC)*4C +Al-Foil+D(7/0.127TC), Black PVC Jacket, OD:3.2*14.5± 0.2mm	200	mm	Approve: Dell Zheng		
No.	P/No.	Specifications	Q'TY	Unit	Check: Kelly Xu		
					Draw: David Han		

