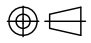



Rev	Modification	Date
A1	Issue	07/13/2016



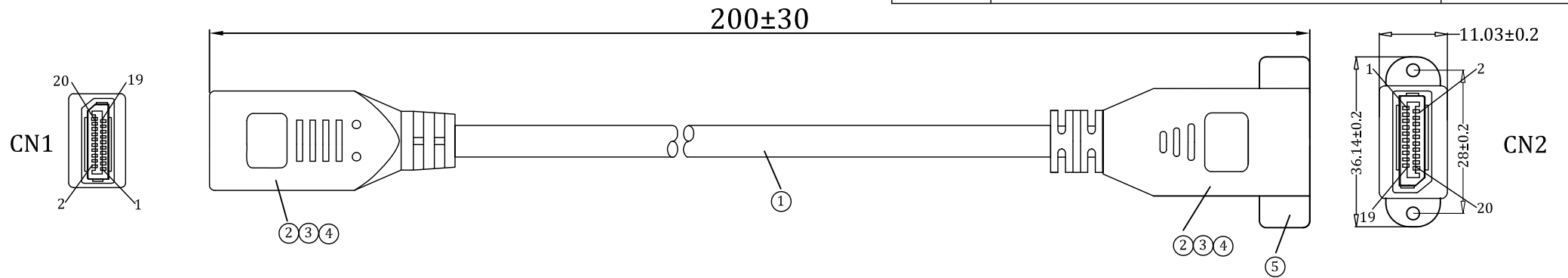
Key Features:

- High Quality DisplayPort Female to Female Panel Mount cable
- The screw design helps to connect the device tightly
- Convenient way to combine two DisplayPort cables through a panel without any signal loss
- Supports a High Bit Rate (HBR) bandwidth and up to a 4k resolution
- Built to DisplayPort 1.2 standard
- 2 Years Warranty

Projection: 	Tolerance: XX= XXX=	Product: DP F/F Panel Mount Cable
Scale: None	DWG No.: PM3001	Part No.: UMPM3001
Unit: mm	Page: 1/2	Customer:
Customer Approve:		<p>UMA Technology Co., Ltd</p> <p>Tel: 0086 574 8704 2335 Fax: 0086 574 5687 7589 Email: info@umateck.com Web: www.umateck.com Add: 4-1, Shanghai Fortune building, South Dongyi Rd, Zhenhai District, Ningbo, China, 315202</p> 
Approve:	Dell Zheng	
Check:	Kelly Xu	
Draw:	David Han	

RoHS Compliant

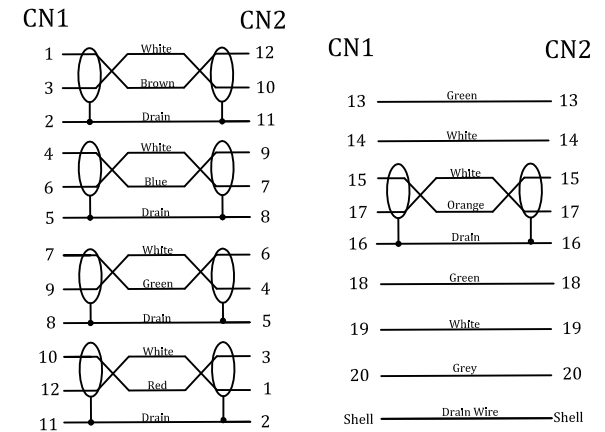
Rev	Modification	Date
A1	Issue	07/13/2016



Electronic Tests:

- A. Open/Short/Intermittence: 100%
- B. Hi-Pot: AC 300V 0.01S 1mA
- C. Insulation Resistance: DC 300V 10MΩ Min
- D. Conductive Resistance: 3Ω Max
- E. Computer Test: 4Kx2K@60Hz

PIN OUT



⑥	Screw	Screw, 4-40, Nickel Plated	2	pcs			
⑤	Nut	Nut, 4-40, Nickel Plated	2	pcs	Projection:	Tolerance: XX= XXX=	Product: DP F/F Panel Mount Cable
④	Outer Mold	45P PVC, Black	17	g	Scale: None	DWG No.: PM3001	Part No.: UMPM3001
③	Inner Mold	LDPE	8	g	Unit: mm	Page: 2/2	Customer:
②	Connector	DisplayPort 20PIN Female, PIN Gold Flash, Shell Gold Plated	2	pcs	Customer Approve:		UMA Technology Co., Ltd Tel: 0086 574 8704 2335 Fax: 0086 574 5687 7589 Email: info@umateck.com Web: www.umateck.com Add: 4-1, Shanghai Fortune building, South Dongyi Rd, Zhenhai District, Ningbo, China, 315202
①	Cable	DP 1.2, [28AWG(7/0.127TC)*1P+D(7/0.127TC)+FAM]*5C+28AWG(7/0.127TC)*5C +AL-Foil+D(7/0.127TC)+B(96/0.12AL-MG), Black PVC Jacket, OD:7.3± 0.2mm	200	mm	Approve: Dell Zheng		
No.	P/No.	Specifications	Q'TY	Unit	Check: Kelly Xu		
					Draw: David Han		

