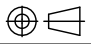



Rev	Modification	Date
A1	Issue	07/13/2016



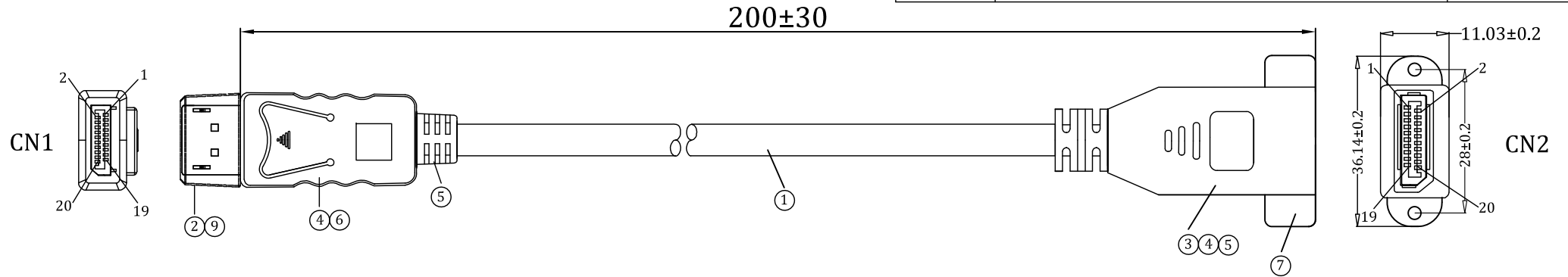
Key Features:

- High Quality DisplayPort Male to Female Panel Mount cable
- The screw design helps to connect the device tightly
- Convenient way to combine two DisplayPort cables through a panel without any signal loss
- Supports a High Bit Rate (HBR) bandwidth and up to a 4k resolution
- Built to DisplayPort 1.2 standard
- 2 Years Warranty

Projection: 	Tolerance: XX= XXX=	Product: DP M/F Panel Mount Cable
Scale: None	DWG No.: PM3002	Part No.: UMPM3002
Unit: mm	Page: 1/2	Customer:
Customer Approve:		<p>UMA Technology Co., Ltd</p> <p>Tel: 0086 574 8704 2335 Fax: 0086 574 5687 7589 Email: info@umateck.com Web: www.umateck.com Add: 4-1, Shanghai Fortune building, South Dongyi Rd, Zhenhai District, Ningbo, China, 315202</p> 
Approve:	Dell Zheng	
Check:	Kelly Xu	
Draw:	David Han	

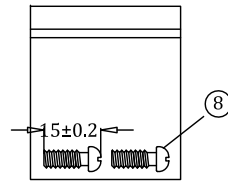
RoHS Compliant

Rev	Modification	Date
A1	Issue	07/13/2016

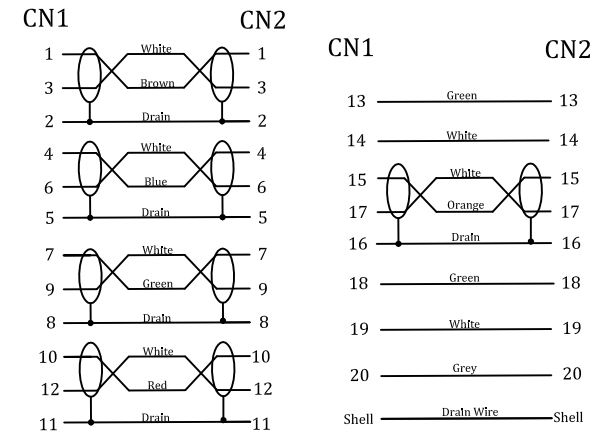


Electronic Tests:

- A. Open/Short/Intermittence: 100%
- B. Hi-Pot: AC 300V 0.01S 1mA
- C. Insulation Resistance: DC 300V 10MΩ Min
- D. Conductive Resistance: 3Ω Max
- E. Computer Test: 4Kx2K@60Hz



PIN OUT



⑨	Dust Cover	DisplayPort Male Dust Cover, Transparent	1	pc
⑧	Screw	Screw, 4-40, Nickel Plated	2	pcs
⑦	Nut	Nut, 4-40, Nickel Plated	2	pcs
⑥	Outer Mold	45P PVC, Black	15	g
⑤	Inner Mold	LDPE	8	g
④	Plastic Hood	DisplayPort Male Plastic Hood, ABS, Black	1	pc
③	Connector	DisplayPort 20PIN Female, PIN Gold Flash, Shell Gold Plated	1	pc
②	Connector	DisplayPort 20PIN Male, PIN Gold Flash, Shell Gold Plated	1	pc
①	Cable	DP 1.2, [28AWG(7/0.127TC)*1P+D(7/0.127TC)+FAM]*5C+28AWG(7/0.127TC)*5C+AL-Foil+D(7/0.127TC)+B(96/0.12AL-MG), Black PVC Jacket, OD:7.3±0.2mm	200	mm
No.	P/No.	Specifications	Q'TY	Unit

Projection:		Tolerance:	XX= XXX=	Product:	DP M/F Panel Mount Cable
Scale:	None	DWG No.:	PM3002	Part No.:	UMPM3002
Unit:	mm	Page:	2/2	Customer:	
Customer Approve:				<p align="center">UMA Technology Co., Ltd</p> <p>Tel: 0086 574 8704 2335 Fax: 0086 574 5687 7589 Email: info@umateck.com Web: www.umateck.com Add: 4-1, Shanghai Fortune building, South Dongyi Rd, Zhenhai District, Ningbo, China, 315202</p>	
Approve:		Dell Zheng			
Check:		Kelly Xu			
Draw:		David Han			