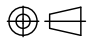



Rev	Modification	Date
A1	Issue	07/13/2016



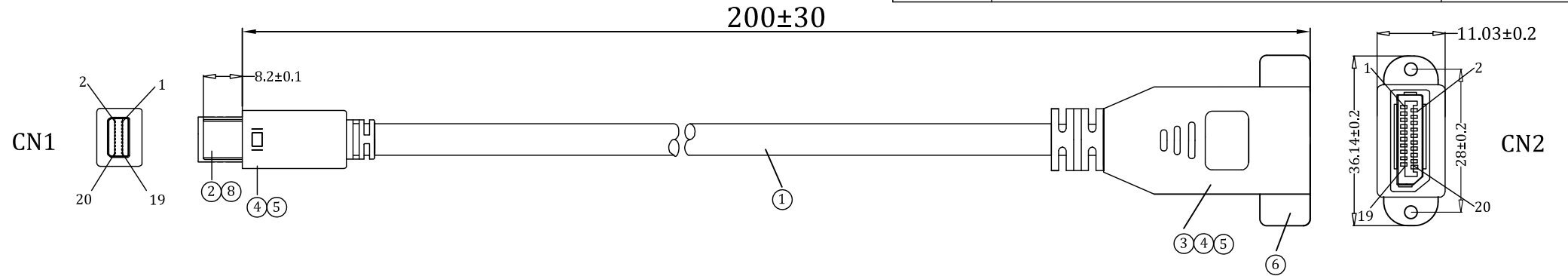
**Key Features:**

- High Quality Mini DisplayPort Male to DisplayPort Female Panel Mount cable
- The screw design helps to connect the device tightly
- Convenient way to connect a DisplayPort cable through a panel without any signal loss
- Supports a High Bit Rate (HBR) bandwidth and up to a 4k resolution
- Built to DisplayPort 1.2 standard
- 2 Years Warranty

Projection: 	Tolerance: XX= XXX=	Product: Mini DP M/DP F Panel Mount Cable
Scale: None	DWG No.: PM3003	Part No.: UMPM3003
Unit: mm	Page: 1/2	Customer:
Customer Approve:		<p><b>UMA Technology Co., Ltd</b></p> <p>Tel: 0086 574 8704 2335                      Fax: 0086 574 5687 7589                      Email: info@umateck.com                      Web: www.umateck.com                      Add: 4-1, Shanghai Fortune building, South Dongyi Rd,                      Zhenhai District, Ningbo, China, 315202</p> 
Approve:	Dell Zheng	
Check:	Kelly Xu	
Draw:	David Han	

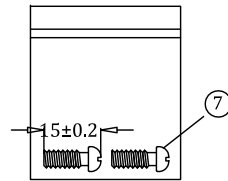
RoHS Compliant

Rev	Modification	Date
A1	Issue	07/13/2016

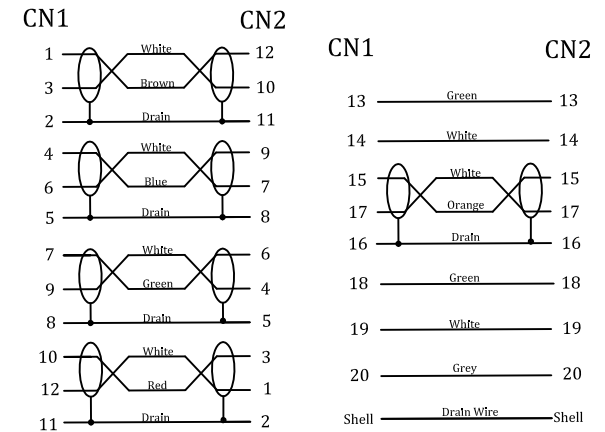


**Electronic Tests:**

- A. Open/Short/Intermittence: 100%
- B. Hi-Pot: AC 300V 0.01S 1mA
- C. Insulation Resistance: DC 300V 10MΩ Min
- D. Conductive Resistance: 3Ω Max
- E. Computer Test: 4Kx2K@60Hz



**PIN OUT**



⑧	Dust Cover	DisplayPort Male Dust Cover, Transparent	1	pc				
⑦	Screw	Screw, 4-40, Nickel Plated	2	pcs				
⑥	Nut	Nut, 4-40, Nickel Plated	2	pcs				
⑤	Outer Mold	45P PVC, Black	15	g	Projection:	Tolerance: XX= XXX=	Product: Mini DP M/DP F Panel Mount Cable	
④	Inner Mold	LDPE	8	g	Scale: None	DWG No.: PM3003	Part No.: UMPM3003	
③	Connector	DisplayPort 20PIN Female, PIN Gold Flash, Shell Gold Plated	1	pc	Unit: mm	Page: 2/2	Customer:	
②	Connector	Mini DisplayPort 20PIN Male, PIN Gold Flash, Shell Gold Plated	1	pc	Customer Approve:			<b>UMA Technology Co., Ltd</b> Tel: 0086 574 8704 2335 Fax: 0086 574 5687 7589 Email: info@umateck.com Web: www.umateck.com Add: 4-1, Shanghai Fortune building, South Dongyi Rd, Zhenhai District, Ningbo, China, 315202
①	Cable	DP 1.2, [32AWG(7/0.08TC)*1P+D(7/0.087TC)+FAM]*5C+21AWG(7/0.08TC)*5C+AL-Foil+D(7/0.08TC)+B(80/0.12AL-MG), Black PVC Jacket, OD:5.0± 0.2mm	200	mm	Approve: Dell Zheng			
No.	P/No.	Specifications	Q'TY	Unit	Check: Kelly Xu			
					Draw: David Han			

